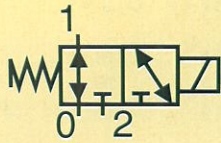


# Solenoid Valves for Automation

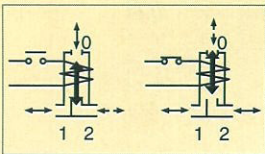
3/2 way - Universal - Direct operated

Fittings: G = 1/8" - 1/4"

Series **139**



**Universal Solenoid valve**



## General description:

PARKER series 139 solenoid valves are universal and may be used as normally closed, normally open and for bypass and mixer applications depending on the flow pattern chosen.

They are used for general applications with media such as **water, air, light oils (2°E) and inert gases**, provided they are compatible with the construction materials used.

Since they are direct-acting valves, they do not require a minimum differential pressure and function within the maximum differential pressure values (MOPD) indicated in the specification table.

The series 139 seal bubble tight.

## Temperatures:

The working temperature for media is:

maximum	+140°C
minimum	-10°C

The maximum ambient temperature is:

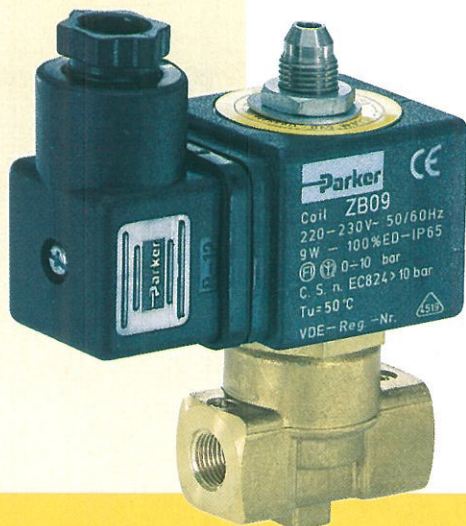
- with class "F" coils +50°C
- with class "H" coils +80°C

## Application:

Series 139 solenoid valves are used in applications which require actuation and automatic discharge of moving systems. They enable the flow to be diverted towards a single outlet or to select one flow from two.

Some typical application examples:

- Pneumatic systems;
- Air compressors;
- Pilot valves;
- Batch systems;
- Paper and board manufacturing machines;
- Hydrocleaners;
- Hygiene-health systems;
- Instruments;
- Dryers;
- Automatic dispensers.



## Coils:

For series 139 valves class "F" coils (155°C) are available encapsulated in thermoplastic containing 30% glass fiber (types: ZB, YB).

Class "H" coils (180°C) are also available encapsulated in thermoplastic containing 40% glass fiber (type: ZH).

All the coils are for continuous service, 100% E.D.

The rated voltage tolerance is:

**±10% for A.C.** power supply and **+10% -5% for D.C.**

The "Z" and "Y" coils can be used on a.c. with frequency of 50/60Hz (dualfrequency). The "Z" coils have Faston terminals for **DIN 43650A** connectors with protection to **IP65**.

The "Y" coil has terminals with 2 x 1,000 mm cables with protection to **IP67**.

## Installation:

The valves can be mounted in any position without jeopardising their operation. It is however advisable to install them with the coil in a vertical position above the body. The valve body has a M4 x 8 mounting hole.

## Approvals:



• Coil certification:  
**ZB 09** 24V/50-60Hz, 115V/50-60Hz  
 220-230V/50-60Hz, 240V/50-60Hz

**ZB 12** 12V DC, 24V DC

**YB 09** 220-230V/50-60Hz



• For the coils:  
**ZB 09** 220-230V/50-60Hz, 240V/50-60Hz  
**YB 09** 220-230V/50-60Hz



• UL Recognized Comp. Mark for coils:

**ZB 09** 24V/60Hz, 110-120V/60Hz,  
 208-240V/60Hz

**YB 09** 24V/60Hz, 110-120V/60Hz,  
 208-240V/60Hz

Series **139**



**MATERIALS**

- Valve body: OT58 UNI 5705 brass stamping
- Seals: Viton
- Enclosing tube: AISI 304 stainless steel
- Plunger: AISI 430 F stainless steel
- Spring: AISI 302 stainless steel
- Shading ring: Copper

**ELECTRICAL FEATURES**

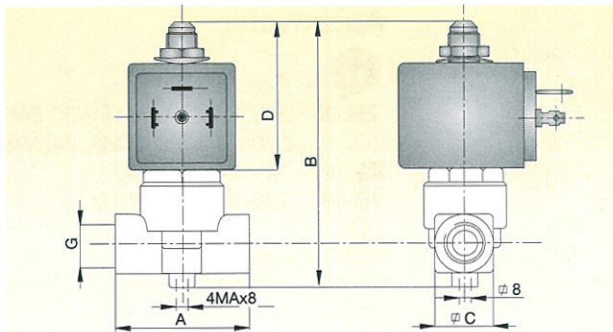
Coil type [ ]		Power [ W ]		Insulat. class
A.C.(~)	D.C.(=)	A.C.(~)	D.C.(=)	
ZB 09	ZB 12	9	12	F
YB 09	YB 12	9	12	F
ZH 14	ZH 16	14	16	H

**SPECIFICATION**

Fittings Ø G	Valve type	Nominal orifice Ø	Flow coefficient Kv	Minimum pressure	Max differential pressure (M.O.P.D.)		Coil type	Weight	Notes
					in A.C.(~) [bar]	in D.C.(=) [bar]			
[ " ]	[ ]	[mm]	[m³/h]	[bar]			[ ]	[Kg]	[ ]
1/8	139 A	1,5 (1,5)*	0,07	0	10	10	Z - Y	0,360	1
1/8	139 B	2,0 (2,0)*	0,12	0	7	7	Z - Y	0,360	1
1/4	139 F	2,0 (2,0)*	0,12	0	7	7	Z - Y	0,360	1
1/4	139 G	2,5 (2,5)*	0,17	0	4	4	Z - Y	0,360	1
1/4	139 L	3,5 (2,5)*	0,30	0	1	1	Z - Y	0,360	1

Note: 1) NP (nominal pressure): 64 bar. 2) \* Discharge diameter.

**DIMENSIONS**



Fittings Ø G	A	B	C	D
[ " ]	[mm]	[mm]	[mm]	[mm]
1/8	40,0	82,5	18	45,5
1/4	40,0	82,5	18	45,5

**ORDER CODE**

<b>PM</b>	<b>139</b>	<b>V</b>			[V] [Hz] / d.c.				
VALVE BODY	FITTINGS	SEAL	Coil type	24 V 50/60 Hz	115V 50/60 Hz	220-230 V 50/60 Hz	240 V 50/60 Hz	12 V d.c.	24 V d.c.
SERIES	A 1/8"	V Viton	ZB 09	•	•	•	•		
	B 1/8"		ZB 12					•	•
	F 1/4"		YB 09	•	•	•			
	G 1/4"		YB 12					•	•
	L 1/4"		ZH 14	•	•	•			
			ZH 16						•

Note: Valve supplied with body (PM) and coil separate. Connector to be ordered separately.