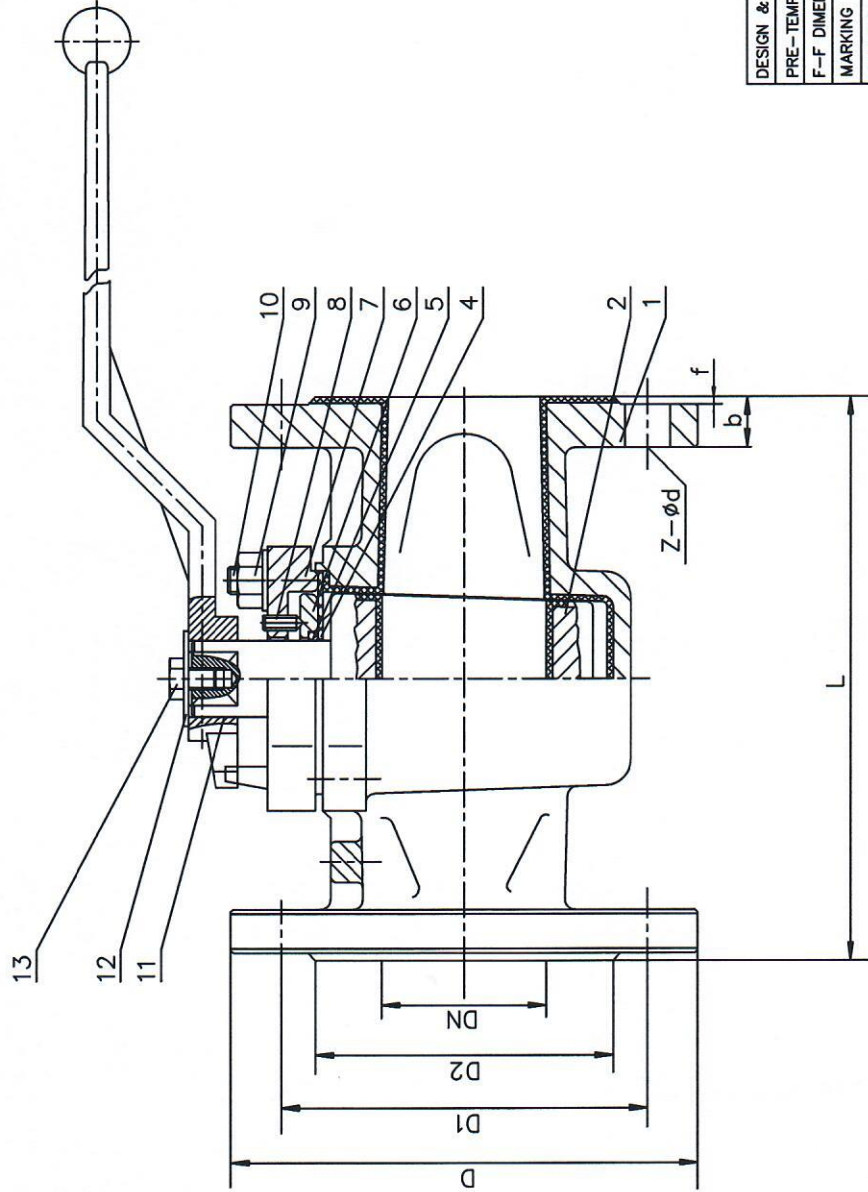


FIG. NO. PLV015-WCB+PFA-R.F-LEVER

NO.	PART NAME	MATERIAL	Q'TY
1	BODY	A216 WCB+PFA	
2	PLUG	A216 WCB+PFA	
3			
4	DIAPHRAGM	PTFE	
5	O RING	FLUORORUBBER	
6	WASHER	A182 F304	
7	BONNET	A216 WCB	
8	SCREW	A193 B7	
9	NUT	A194 2H	
10	BOLT	A193 B7	
11	LEVER	CS	
12	WASHER	CS	
13	BOLT	A193 B7	



SIZE	f	L	D	D1	D2	b	Z-φd
1/2"	2	108	90	60.3	35	9.6	4-φ16
1"	2	127	110	79.5	50.8	12.7	4-φ16
1 1/2"	2	165	125	98.5	73	16	4-φ16
2"	2	178	150	120.7	92.1	17.5	4-φ19
4"	2	229	230	190.5	157	22.3	8-φ19

DESIGN & MFT	API 599	ENDS CONNECTION	R.F
PRE-TEMP. RATING	ASME B16.34	INSPECT & TEST	API 598
F-F DIMENSION	API 599	FLANGED DIMENSION	ANSI B16.5
MARKING	MSS-SP-25	FIRE SAFE DESIGN	--
PAINTING	ORANGE RAL 2009	LOGO	VATAC

TEST PRESSURE MPa

DIN STD	SHELL	SEAT
HYDROSTATIC	3.0	2.2
AIR		0.6

VATAC™ VATAC VALVES CORP.	
Date	Dr. by
2020-03-31	5902
Date	CHK by
2020-03-16	(S.Y.)
Date	App. by
2020-03-16	(S.Y.)
SALES DRAWING	
PFA LINED SLEEVE PLUG VALVE	
WCB+PFA-WCB+PFA	
1/2"~4"-CL150-RF-LEVER	
Dwg No.	PL015RCR1
Rev	0

REV.1	BY	DATE
		2020-03-16
REVISION	DATE	REVISION