

Y-Strainer

Carbon steel, alloy steel and stainless steel

PN16-40

DN15-400



Design

Y-strainer/filter in angle pattern with body and bonnet in cast steel or carbon steel. Filter in stainless steel (304) or alloy steel (316). Standard flange or welded ends.

Standard

- Design EN 13709
- Face to face EN 558-1,
- Flange EN 1092-B1
- Marking EN 19
- Pressure test EN 12266-1
- CE-mark according PED97/23, category 3

Applications

- Water, steam, oil and other fluids not damage the internal components.
- Uses within the all kind of industries



Table 1. Technical specification

Dimension	DN 15 to DN 400
Material	Carbon steel, stainless steel
Pressure class	PN 16 to PN 40
Temperature range	Carbon steel -10°C to max 400°C Stainless steel to max 550°C ¹⁾
Connection	Flanged, Butt weld ends
Screen	SS304 alternative SS316

1) Flanged valve max 530°C

Table 2. Pressure- temperature range, acc. to EN 1092-1

Material Body	PN	RT	100	150	200	250	300	350	400	450	500	530	550 ¹⁾
Carbon steel 1.0619	16	16.0	14.9	13,9	12.4	11.4	10.3	9.6	9.2				
Carbon steel 1.0619	25/40	40.0	37.3	34.7	30.2	28.4	25.8	24.0	23.1				
Steel alloy 1.5419		40.0	40.0	40.0	38.2	35.6	30.2	28.4	26.7	25.8	18.0		
Steel alloy 1.7357		40.0	40.0	40.0	40.0	39.1	36.4	33.8	32	30.2	24.4	13.9	
Stainless steel CF8	16	14.7	12.1	11.0	10.2	9.6	9.0	8.7	8.4	8.1	7.8	7.6	7.3
Stainless steel CF8M		14.7	12.5	11.4	10.6	9.8	9.3	9.0	8.7	8.5	8.4	8.3	8.2
Stainless steel CF8	25/40	36.8	30.3	27.5	25.5	24.1	22.7	21.9	21.2	20.3	19.6	19.2	18.4
Stainless steel CF8M		36.8	31.3	28.5	26.4	24.7	23.4	22.6	21.8	21.4	21.0	20.8	20.7

Y-Strainer

Carbon steel, alloy steel and stainless steel

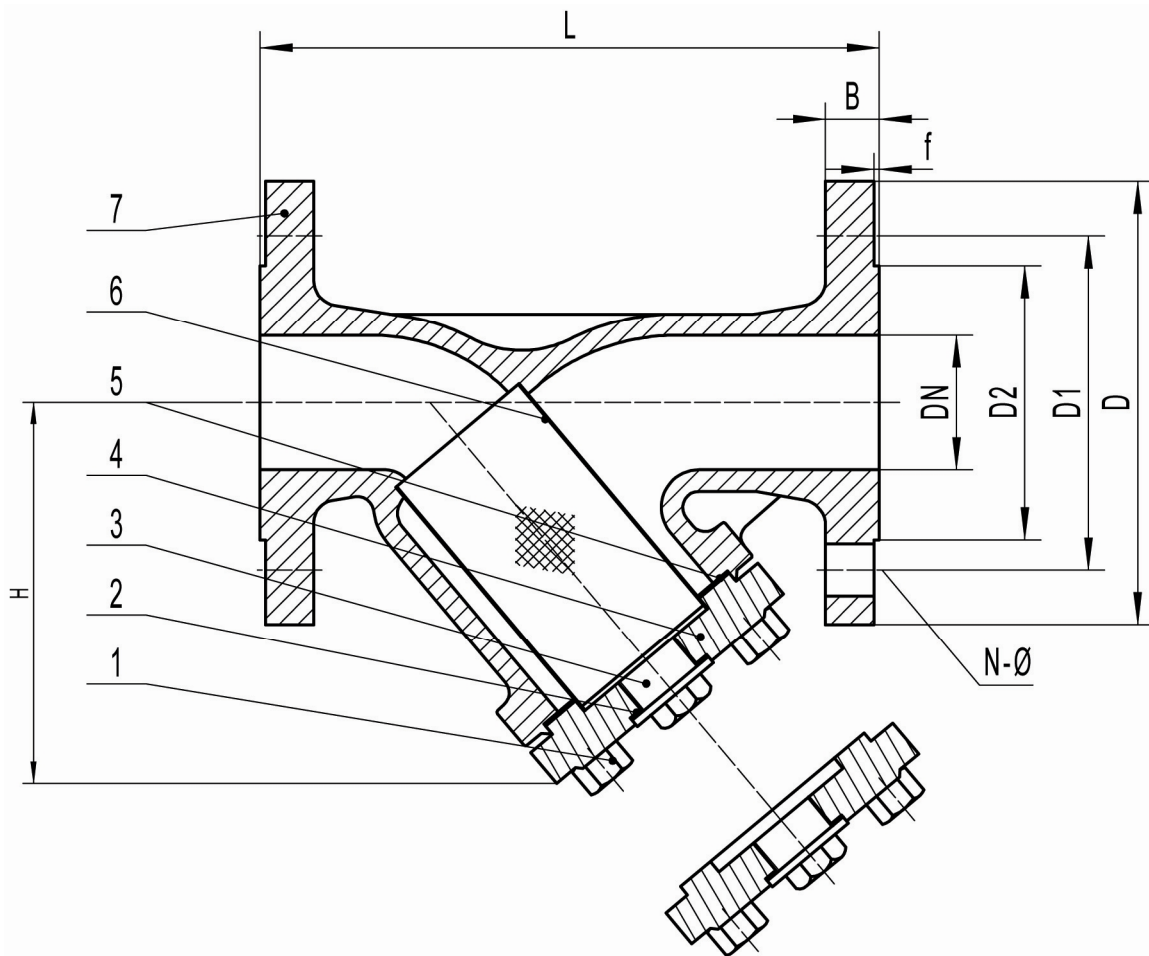
PN16-40

DN15-400



Table 3. Material specification

Pos	Detail	Material					
		ASTMA194 B7		ASTMA 320 B8		ASTMA 320 B8M	
1	Bolt	ASTMA 194 B7		ASTMA 320 B8		ASTMA 320 B8M	
2	Sealing piece	Cu ALLOY					
3	Packing	Graphite + SS304		Graphite + SS304		Graphite + SS316	
4	Bonnet	1.0619		1.4308		1.4408	
5	GASKET	Graphite + SS304		Graphite + SS304		Graphite + SS316	
6	Screen	ASTMA276 304	ASTMA276 316	ASTMA276 304	ASTMA276 316	ASTMA276 304	ASTMA276 316



Y-Strainer

Carbon steel, alloy steel and stainless steel

PN16-40

DN15-400



Table 5. Dimension and weight. PN16-PN25/40
 Face to face:flanged acc. to EN 558-1 series 1. Flange acc.to EN1092-1, type B1,
 Face to face:butt welded acc.to EN12982, serie 1; butt weld ends acc.to EN12627

DN	PN	L	D	D1	D2	B	N-Φd	Weight flanged	LS	Weight BW-end	H _{max}	Kv Z=4,4
mm		mm	mm	mm	mm	mm	antxmm	Kg	mm	Kg	Mm	m ³ /h
15	16-25/40	130	95	65	45	16	4x14	2.8	130	1.9	85	6.3
20		150	105	75	58	18	4x14	3.8	150	2.8	95	11
25		160	115	85	68	18	4x14	5.3	160	3.8	110	17.5
32		180	140	100	78	18	4x18	7.2	180	4.8	125	28
40		200	150	110	88	18	4x18	9	200	6.2	145	44
50		230	165	125	102	20	4x18	11.8	230	8.3	155	69
65	16	290	185	145	122	18	8x18	16.2	290	11.8	170	118
80		310	200	160	138	20	8x18	22.4	310	17.8	205	178
100		350	220	180	162	20	8x18	35.0	350	28.6	230	270
125		400	250	210	188	22	8x18	45.4	400	37.0	270	420
150		480	285	240	218	22	8x22	62.0	480	51.2	318	620
200		600	340	295	268	24	12x22	132.0	600	120.0	400	1150
250		730	405	355	320	26	12x26	220.0	730	203.0	555	1700
300		850	460	410	378	28	12x26	330.0	850	308.0	620	2500
350		980	520	470	438	30	16x26	540.0	980	510.0	700	3400
400		1100	580	525	490	32	16x30	830.0	1100	788.0	820	4400
65	25/40	290	185	145	122	22	8x18	16.8	290	13.0	170	118
80		310	200	160	138	24	8x18	24.0	310	18.5	205	178
100		350	235	190	162	26	8x22	38.8	350	29.7	230	270
125		400	270	220	188	26	8x26	50.1	400	38.1	270	420
150		480	300	250	218	28	8x26	68.0	480	53.4	318	620
200	25	600	360	310	278	30	12x26	142.6	600	123.0	400	1150
250		730	425	370	335	32	12x30	233.4	730	208.0	555	1700
300		850	485	430	395	34	16x30	350.0	850	316.0	620	2500
350		980	555	490	450	38	16x33	574.0	980	540.0	700	3400
400		1100	620	555	505	40	16x36	875.0	1100	835.0	820	4400
200	40	600	375	320	285	34	12x30	153.0	600	129.0	400	1150
250		730	450	385	345	38	12x33	250.0	730	223.0	555	1700
300		850	515	450	410	42	16x33	360.0	850	348.0	620	2500
350		980	580	510	465	46	16x36	614.0	980	587.0	700	3400
400		1100	660	585	535	50	16x39	940.0	1100	887.0	820	4400