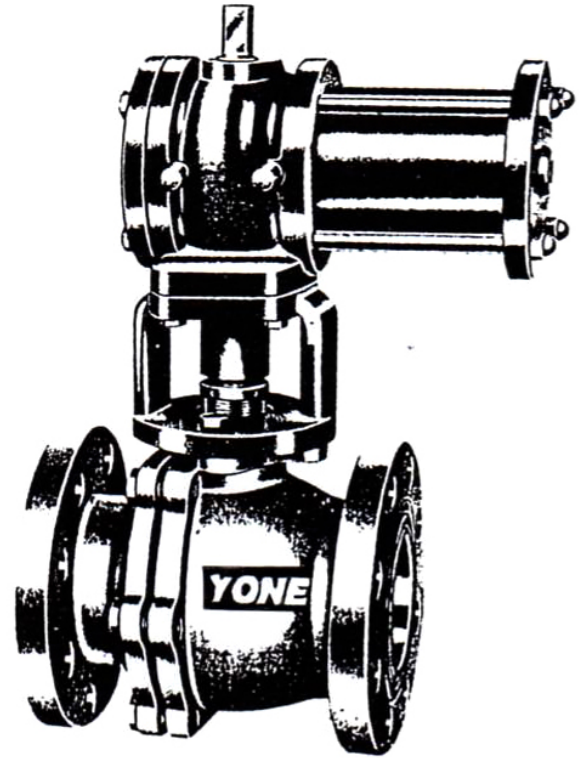
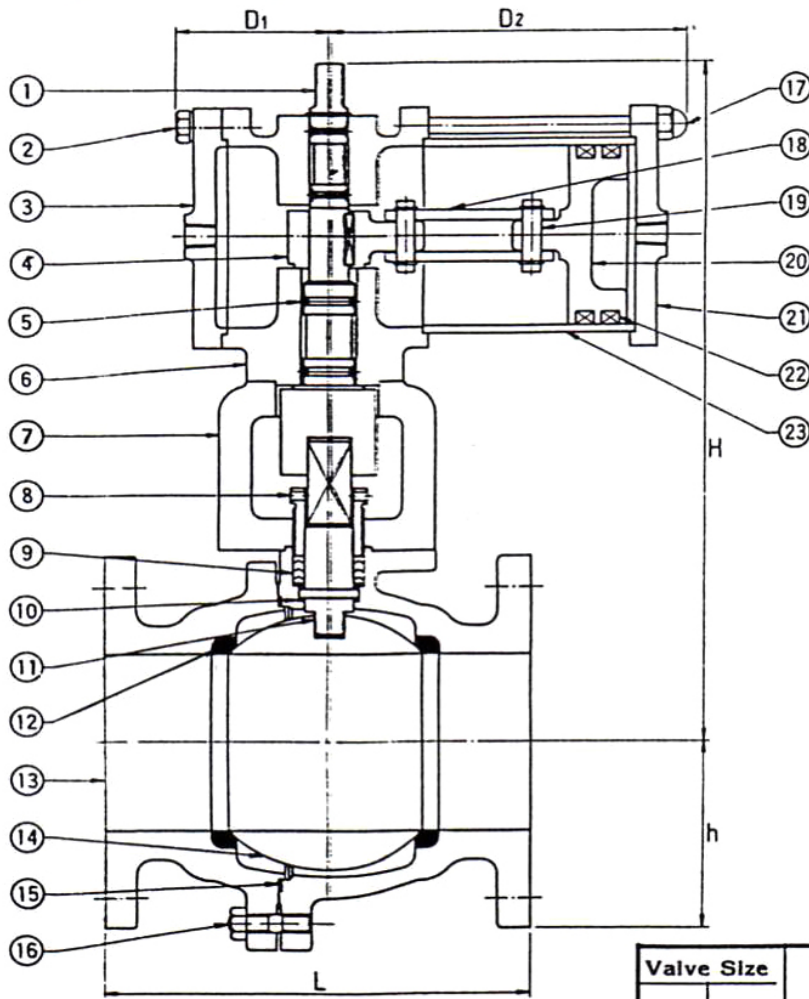




NO.106 CYLINDER-TYPE BALL VALVE 氣缸式球塞閥



Service:
For water, air, oil and other fluids.
Operating Air Pressure: 3 – 5 kg/cm²G
Remark:
Double acting cylinder actuator.
Connection Rating JIS 10K.

Valve Size		L	h	H	D ¹	D ²	FC	SUS
mm	Inch						approx. weight (kg)	approx. weight (kg)
15	½	110	47	212	54	135	6	6
20	¾	120	50	215	54	135	7	6
25	1	130	62	228	54	135	8	8
32	1 ¼	140	67	232	54	135	12	11
40	1 ½	165	70	250	58	158	13	12
50	2	180	77	255	58	158	15	14
65	2 ½	190	87	328	65	175	25	23
80	3	200	92	338	65	175	27	26
100	4	230	105	382	76.5	193.5	39	35
125	5	300	130	435	93	232	62	53
150	6	340	145	485	100	265	86	82

PARTS

Fig. W - Y 202C				Fig. W - Y 302C			
Parts Name	Materials	FC 20	SCS 13 (SUS 304)	Parts Name	Materials	FC 20	SCS 13 (SUS 304)
1	Drive Shaft	Steel	Steel	13	Body	FC - 20	SCS 13
2	Bolt	Steel	Steel	14	Ball	SUS 304	SUS 304
3	Cylinder Cover	FC - 20	FC - 20	15	Packing	Teflon	Teflon
4	Scotch Yoke	FCD - 45	FCD - 45	16	Bolt	Steel	SUS 304
5	"O" Ring	NBR	NBR	17	Bolt	Steel	Steel
6	Housing	FC - 20	FC - 20	18	Piston-Rod	Steel	Steel
7	Yoke	FC - 20	FC - 20	19	Shaft	Steel	Steel
8	Gland	3C - 6	BC - 6	20	Piston	FC - 20	FC - 20
9	Packing	Teflon	Teflon	21	Cylinder Cover	FC - 20	FC - 20
10	Packing	Teflon	Teflon	22	"O" Ring	NBR	NBR
11	Ball Stem	SUS 304	SUS 304	23	Cylinder	STKM 13C	STKM 13C
12	Seat Ring	Teflon	Teflon				