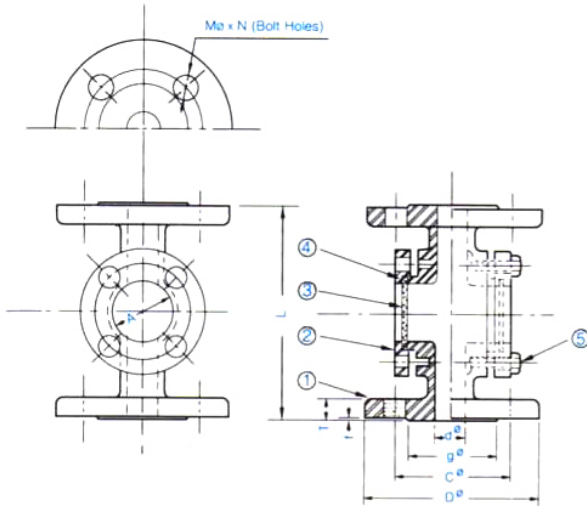




# SIGHT FLOW INDICATOR

## YONE NO. 120



No.	Name of parts	Material	No. of place
1	BODY	SCS 13	1
2	WINDOW COVER	SCS 13	2
3	WINDOW	GLASS	2
4	PACKING	TEFLON	4
5	BOLT	SUS 27	12

### Material:

- ASTM A351 GR.CF8M
- ASTM A351 GR.CF8

SIZE	1/2B	3/4B	1B	1 1/4B	1 1/2B	2B	2 1/2B	3B	4B
d	15	20	25	32	40	50	65	80	100
L	160	160	160	170	174	210	230	240	260
D	95	100	125	135	140	155	175	185	210
C	70	75	90	100	105	120	140	150	175
g	52	58	70	80	85	100	120	130	165
T	12	14	14	16	16	16	16	18	18
f	1	1	1	2	2	2	2	2	2
A	32	36	45	48	50	60	70	80	100
MxN	15X4	15X4	19X4	19X4	19X4	19X4	19X4	19X8	19X8