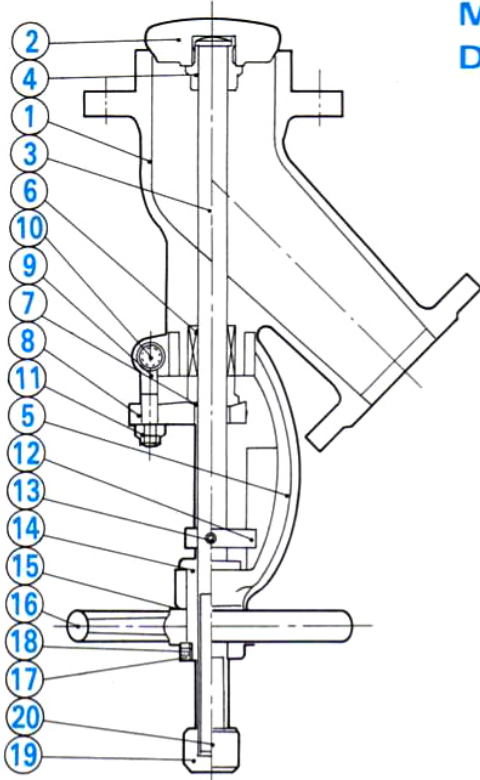
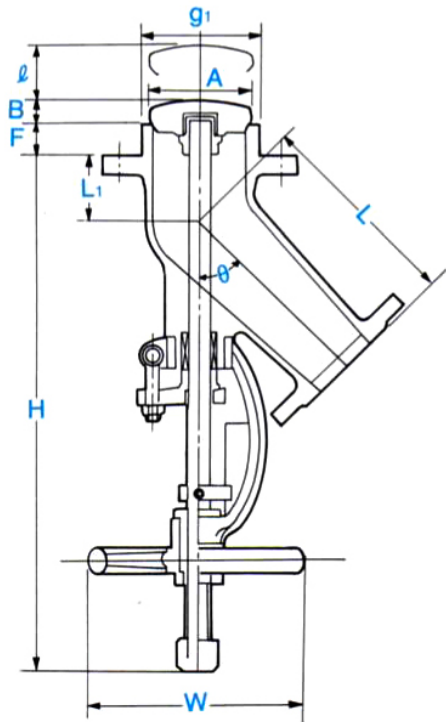


**MANUAL HANDLE OPERATED
DISC OPEN INTO TANK, TANK VALVE**



No. 134

No.	Parts Name	Material	No.	Parts Name	Material
1	Body	SCS13	13	Spring Pin	SUS304
2	Disc	SCS13	14	Slip	Bronze
3	Stem	SUS304	15	Washer	Bronze
4	Disc Nut	SUS304	16	Hand Wheel	FCD
5	Yoke	SCS13	17	Stem Nut	Bronze
6	Gland Packing	Teflon	18	Screw Pin	Bronze
7	Gland	SUS304	19	Stem Cap	SUS304
8	Gland Flange	SCS13	20	Spring Pin	SUS304
9	Eye Bolt	SUS304			
10	Eye Bolt Pin	SUS304			
11	Eye Bolt Nut	SUS304			
12	Indicator	SUS304			



θ	SIZE	d(ND)	L	L ₁	A	B	g ₁	F	H	∠	W
45°	1 × 1½	25	150	32	48	18	60	35	330	35	160
	1 × 2										
	1½ × 2	40	180	40	60	18	70	35	375	40	160
	2 × 3	50	190	45	70	18	80	35	465	55	180
	2½ × 4	65	210	50	115	20	125	35	504	55	200
	3 × 4	80	220	70	115	25	125	35	550	60	230
	4 × 5	100	250	85	135	27	145	40	628	75	250
	5 × 6	125	270	90	155	32	165	40	740	90	300
	6 × 8	150	300	110	195	36	210	40	830	100	355
	8 × 10	200	350	110	250	56	265	50	936	120	400
10 × 12	250	400	130	300	60	325	50	1060	120	500	