

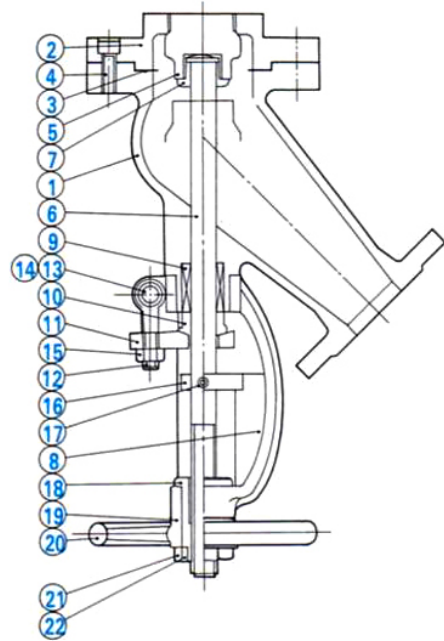


YONE NO. 135 TANK VALVE

MANUAL HANDLE OPERATED DISC OPEN INTO VALVE, TANK VALVE

No. 135

No.	Parts Name	Material	No.	Parts Name	Material
1	Body	SCS13	13	Bolt Pin	SUS304
2	Flange Bonnet	SCS13	14	Spring Pin	SUS304
3	Gasket	Teflon	15	Eye Bolt Nut	SUS304
4	Bolt	SUS304	16	Indicator	SUS304
5	Disc	SUS304	17	Spring Pin	SUS304
6	Stem	SUS304	18	Slip	Bronze
7	Disc Nut	SUS304	19	Washer	Bronze
8	Yoke	SCS13	20	Hand Wheel	FCD
9	Gland Packing	Teflon	21	Stem Nut	Bronze
10	Gland	SUS304	22	Screw Pin	Bronze
11	Gland Flange	SCS13			
12	Eye Bolt	SUS304			



θ	SIZE	d(ND)	L	L ₁	g ₁	F	H	\angle	W
45°	1 × 2	25	160	56	60	35	350	25	160
	1½ × 2½	40	180	85	85	35	407	40	160
	2 × 4	50	200	80	120	35	432	55	180
	2½ × 5	65	220	90	140	40	485	60	180
	3 × 5	80	220	110	140	40	575	60	230
	4 × 6	100	240	130	165	40	600	80	250
	5 × 8	125	270	140	200	40	645	90	300
	6 × 8	150	290	150	215	40	885	95	355
V	8 × 10	200	330	165	275	50	950	100	400
	10 × 12	250	360	180	325	50	1050	130	500

