

<MODEL RENEWAL>

1. **TA-18 and TA-18L are discontinued and integrated into TA-18ML**
2. **TA-22 and TA-22L are discontinued and integrated into TA-22ML**
3. **TA-11 and TA-11L are discontinued and 6A & 10A will be added to TA-18ML instead**

| | | | | |
|------------------|--------------------|----------------------|---|------------------------|
| Model | TA-11, TA-11L | | → | TA-18ML |
| Application | Cold and hot water | | | |
| Working pressure | 0.01-0.3MPa | | | |
| Max. temperature | 100 degC | | | |
| Connection | JIS R | | | |
| Material | Body | Brass | → | Stainless steel |
| | Float | Heat-resistant resin | | |
| | Disc | NBR | → | FKM |
| Size | 6A - 20A | | | |

| | | | |
|-------|---------------|---|----------------|
| Model | TA-18, TA-18L | → | TA-18ML |
| | TA-22, TA-22L | → | TA-22ML |

*Old models will be discontinued from January, 2016

Dezincification of brass

Dezincification is a type of corrosion which occurs to **brass**. When water keep touching the brass for a long time, Zinc (Zn) melt out from the brass and makes the brass fragile. The higher the water temperature is, the earlier Dezincification will occur. TA-18ML has **stainless steel** body, so it can perform an excellent durability without Dezincification.

Points of renewal

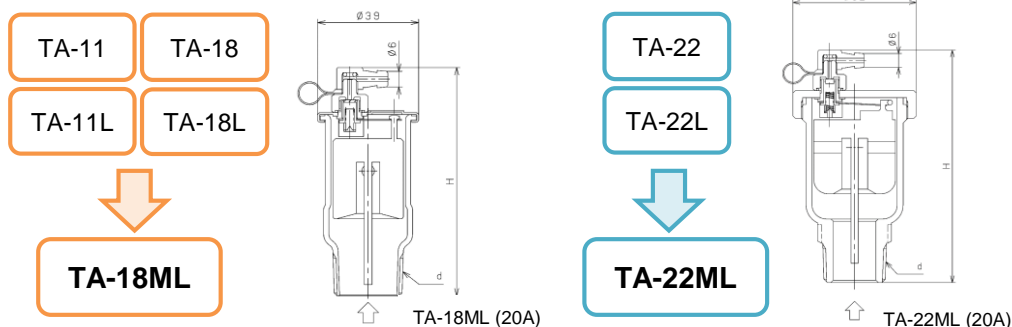
1. Brand new cap

New cap has advantage of outlet connection of both TA-18/22 (easily stops leakage by tightening the cap manually in case of failure) and TA-18L/22L (vinyl hose fitting can be connected to drainage).

2. New sizes

We have added 6A and 10A to the size lineup of TA-18ML to replace TA-11/11L.

Details and dimensions



| TA-18ML | | | | | TA-22ML | | | |
|-------------------------------------|------|------|------|------|-------------------------------------|------|------|-----|
| Body Material: Stainless Steel | | | | | Body Material: Bronze | | | |
| Size | 6A | 10A | 15A | 20A | Size | 15A | 20A | 25A |
| Inlet d | R1/8 | R3/8 | R1/2 | R3/4 | Inlet d | R1/2 | R3/4 | R1 |
| H (mm) | 85 | 89 | 91 | 91 | H (mm) | 97.5 | 103 | 106 |
| Outlet Connection: Cap with fitting | | | | | Outlet Connection: Cap with fitting | | | |
| Working Pressure: 0.01-0.3MPa | | | | | Working Pressure: 0.01-1.0MPa | | | |

*Designs and dimensions are subject to change without prior notice.